

Lympha Press



**Dynamic
Compression
Therapy**

CATALOG

ABOUT LYMPHA PRESS®

Who We Are	3
Product Overview	4
Tools for Successful Treatment	5

CHOOSING A SYSTEM

Lower Body	6
Upper Body	7

COMPRESSION SYSTEMS

Petite Basic System™	8
Lympha Press Optimal®	10
Lympha Press 201Max™	11
Lympha Pants™	12
LymphaPod®	14
ComfySleeve™ I-75	16
Lympha Jacket™	18
Arm and Leg Garments	20
Phlebo Press DVT™	24
Measuring Forms	26
Indications/Contraindications	32
Quick Reference Guide	33



Lympha Press® offers the world's most versatile and advanced dynamic compression therapy systems.

Our treatment systems help patients care for themselves in the comfort of home and give medical professionals versatile tools for in-clinic therapy. We focus on meeting patient needs with quality products that provide the highest standard of care, and are easy and comfortable to use.

WE'VE GOT WHAT YOU NEED TO TREAT YOUR PATIENTS

Our systems include Lympha Press Optimal®, the most advanced, most flexible pump on the market today; Lympha Press 201Max™; and our best-selling Petite Basic System™. Our appliances are designed for maximum wearability and ease of use, with our patented overlapping chambers for comfortable treatment without gaps.

Product Overview



Petite Basic System™



Lympha Press 201Max™



Lympha Press Optimal®



FL Sleeve



Lympha Pants™



ComfySleeve 1-75™

THE PETITE BASIC SYSTEM™

A compact, versatile system with adjustable pressure and pause time. The Petite Basic System™ garments have four fully overlapping chambers. HCPCS CODE E0651.

LYMPHA PRESS 201MAX™

Provides three zones of individually adjustable pressure and our Lympha Press® quick cycle time, with a 26-second inflation cycle. HCPCS CODE E0652.

LYMPHA PRESS OPTIMAL®

Designed on the principles of manual lymph drainage, this system provides three different massage modes: Pretherapy™, peristaltic, and sequential. HCPCS CODE E0652.

ARM AND LEG GARMENTS

Choose from a variety of sizes with hook-and-loop or zipper closures. Garments are available with nine to 12 overlapping chambers.

LYMPHA PANTS™

Treat the hips, abdomen, and genitals, as well as one or both legs. 16 to 24 overlapping chambers.

COMFYSLEEVE™ 1-75 AND LYMPHA JACKET™

Treat the arm, chest, back, and abdomen on the principles of manual lymph drainage.

Tools for Successful Treatment

Precise, Adaptive Compression

Lympha Press® systems are designed for optimal therapy.

QUICK CYCLE TIME	Our rapid fill/deflate cycle increases patient comfort and applies more therapy in less time.
MULTIPLE OVERLAPPING CHAMBERS	12 to 24 overlapping chambers apply a directional massage wave without gaps.
TORSO GARMENTS	Designed on the principles of manual lymph drainage. Treat the trunk, chest, back, and abdomen.

Designed For Compliance

Usability comes first at Lympha Press®.

EASY OPERATION	Clear displays, knobs, and anti-tamper mechanisms make our systems easy to use at home.
EASY ON, EASY OFF	We test our garments for easy donning, doffing and independent use.
WIDE RANGE OF STANDARD SIZES	Our extensive size range and adjustable fasteners provide "off the shelf" solutions.
STURDY AND DURABLE	For use at home and in clinic.

CHOOSING A SYSTEM FOR THE LOWER BODY

LEG SLEEVES

- Treats leg(s) only.
- Used when no torso treatment is desired or needed.
- See garment specifications for size information.

LYMPHA PANTS™

- Treats legs, abdomen, trunk, genitals, hips, and buttocks.
- Recommended for sizes as shown below:
 - Waist: Up to 200 cm
 - Hips: Up to 180 cm
 - Upper thigh: Up to 95 cm

LYMPHAPOD®

- Fits larger patients.
- Treats legs, abdomen, trunk, genitals, hips, and buttocks.
- Recommended for sizes as shown below:
 - Waist: Above 200 cm
 - Hips: Above 180 cm
 - Upper thigh: Above 95 cm

PUMP COMPATIBILITY CHART - LOWER EXTREMITY GARMENTS

PUMP	HCPCS CODE (FOR PUMP)	FL SLEEVE	COMFYSLLEEVE™ (LEGS)	LYMPHA PANTS™	LYMPHAPOD®	PETITE BASIC SYSTEM™ LEG SLEEVES
OPTIMAL®	E0652	✓	✓	✓		
OPTIMAL® OPTIMIZED FOR LYMPHAPOD™	E0652				✓	
201MAX™	E0652	✓	✓	✓		
THE PETITE BASIC SYSTEM™	E0651					✓

The check mark (✓) indicates garments that are compatible for use with each pump type.

NOTE: These criteria are not a guarantee of insurance coverage. Always verify coverage with your insurance provider.

CHOOSING A SYSTEM FOR THE UPPER BODY

ARM SLEEVES

- Treats arm(s) only.
- Used when no torso treatment is desired or needed.
- Optional shoulder attachment.

COMFYSLLEEVE I-75™

- Treats one arm, axilla, shoulder, back, chest, and abdomen.
- Applies compression to one side of torso.
- Applies compression to armpit area.
- Fits most sizes.

LYMPHA JACKET™

- Treats both arms and entire torso including shoulder, back, chest, and abdomen.
- Applies compression to both sides of torso (treats torso bilaterally).

PUMP COMPATIBILITY CHART - UPPER EXTREMITY GARMENTS

PUMP	HCPCS CODE (FOR PUMP)	LYMPHA PRESS® ARM SLEEVE (ZIP I-75 OR I-80)	COMFYSLLEEVE™ I-75	LYMPHA JACKET™	PETITE BASIC SYSTEM™ ARM SLEEVE
OPTIMAL®	E0652	✓	✓	✓	
OPTIMAL® OPTIMIZED FOR LYMPHAPOD®	E0652				
201MAX™	E0652	✓	✓	✓	
THE PETITE BASIC SYSTEM™	E0651				✓

The check mark (✓) indicates garments that are compatible for use with each pump type.

NOTE: These criteria are not a guarantee of insurance coverage. Always verify coverage with your insurance provider.

The Petite Basic System™

PETITE BASIC SYSTEM™ GARMENT SIZES



Petite Basic System™ with leg garment



Petite Basic System™

MODEL	Petite Basic System™ 701A
CATALOG NUMBER	L10000A6
CYCLE	Sequential
PRESSURE RANGE	20-80 mmHg
WEIGHT	2.3 kg / 5.1 lbs
SIZE	10x26x13 cm / 10x5x4 in
ELECTRICAL	115V, 50 / 60 Hz
ACCESSORIES	PBS Hose Bundle L25000A6



The Petite Basic System™ is HCPCS coded E0651.

PLEASE SEE PAGE 32 FOR INDICATIONS/CONTRAINDICATIONS.

Effective and easy to use.

The Petite Basic System™ is a four-chamber sequential compression therapy system that's easy to use at home. Its quick cycle time, overlapping chambers, and adjustable pause time make it ideal for patients with venous insufficiency. Patients love the compact size, which makes it easy to use at home or for travel.

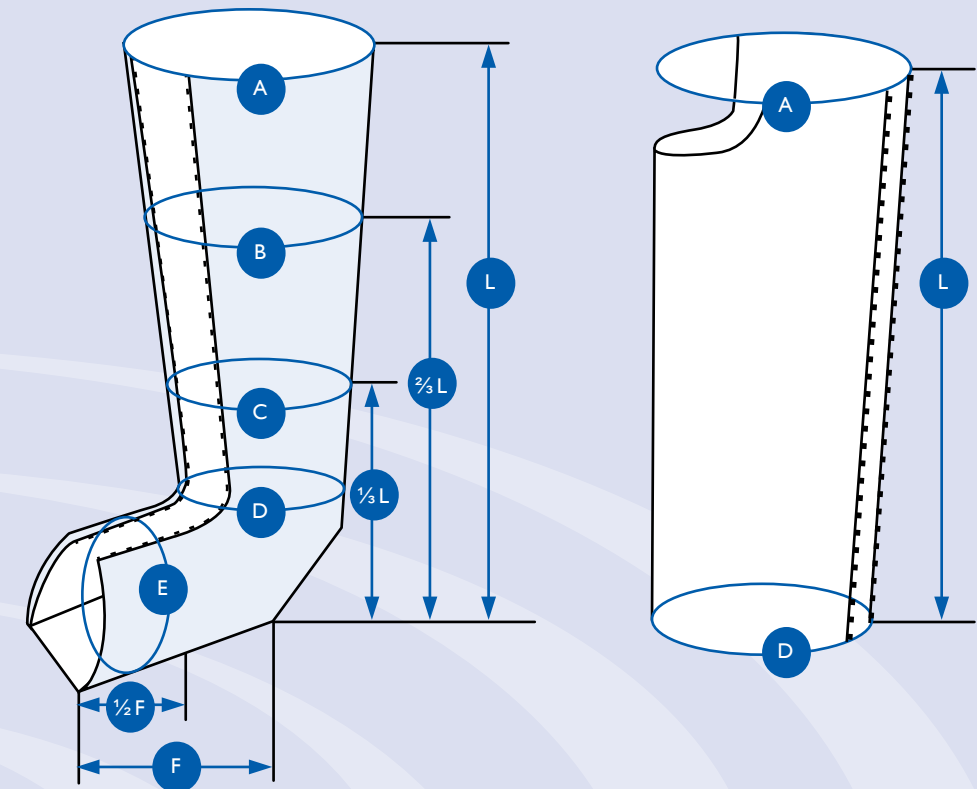
The Petite Basic System™ garments are available in a wide range of sizes with optional expanders – no custom garments needed! Each garment has zipper closures and color-coded connections for ease of use.

FEATURES

- Sequential compression with four overlapping compression chambers.
- Adjustable pressure range from 20 to 80 mmHg.
- Adjustable pause time.
- Lock button to prevent tampering.
- Can treat one or two limbs simultaneously.

GARMENT COMPATIBILITY

The Petite Basic System™ is used with Petite Basic System™ four-chamber extremity garments.



Dimensions

Dimensions with Expander

Catalog #	Size	A	B	C	D	E	F	L
L41M2250	Leg S	57	54	46	43	48	26	50
L41M2275	Leg S+	66	56	46	43	48	26	73
L41M2285	Leg M	70	60	47	43	48	26	84
L41M2295	Leg M+	80	72	50	44	48	26	95
L41M2365	Leg L	81	73	60	56	54	37	65
L41M2375	Leg L+	85	76	61	56	54	37	75
L41M2385	Leg L++	90	80	63	56	54	37	85
L41M2475	Leg WL+	95	82	68	64	61	37	75
L41M1290	Arm M	58	--	--	29	--	--	88

Catalog #	Size	A	B	C	D	E
L415A056	A	67	64	56	53	58
L415T078	BT	76	66	55	48	48
L415T087	CT	80	70	56	48	48
L415T101	ET	90	82	59	49	53
L415T078	BT	91	83	69	61	59
L415T087	CT	95	86	70	61	59
L415T097	DT	100	90	72	61	59
L415T087	CT	105	92	77	67	65
L415A087	C	68	--	--	39	--

TECHNICAL NOTES

- Dimensional data in centimeters (cm).

Lympha Press Optimal®

Lympha Press 201Max™



Lympha Press Optimal®

MODEL	Lympha Press Optimal® 1201-AP
CATALOG NUMBER	L10003C6
CYCLE	<ul style="list-style-type: none"> • Pretherapy™ • Sequential • Peristaltic
PRESSURE RANGE	20-90 mmHg
WEIGHT	6.5 kg / 14.3 lbs
SIZE	15x32x38.5 cm / 6x12.5x15.3 in
ELECTRICAL	115V / 60 Hz
ACCESSORIES	Hose Bundle L25S1000

NOTE: ORDER L10003C6P FOR USE WITH LYMPHAPOD® APPLIANCE.



GARMENT COMPATIBILITY

Lympha Press Optimal® is used with our 12 to 24 overlapping chamber appliances, including leg and arm garments, Lympha Pants™, ComfySleeve™ I-75, and Lympha Jacket™. For use with LymphaPod®, select Optimal Model 1201-AP-LPOD.

Lympha Press Optimal® is HCPCS coded E0652.

PLEASE SEE PAGE 32 FOR INDICATIONS/CONTRAINDICATIONS.

Advanced dynamic compression with Pretherapy™.

Lympha Press Optimal® combines the gentle touch of manual lymph drainage with Lympha Press® calibrated gradient compression in a home care system that is easy to use.

Optimal® offers three different treatment modes, including: Pretherapy™ (based on the principles of manual lymph drainage), peristaltic, and sequential. Pressure can be adjusted independently in each chamber or in four zones of three chambers each to reduce pressure over sensitive areas. Therapists appreciate that pressures and modes are locked in for patient compliance. The clear digital display makes it easy to follow the progress of each treatment session. And the Lympha Press Optimal® has another unique feature – pressures and modes can be set using our software and a USB connection.

FEATURES

- Choice of Pretherapy™, peristaltic, and sequential modes.
- 12-zone gradient calibrated “at the pump.” Pressure can be adjusted in each compression chamber individually, or in four groups of three chambers each.
- Garments for torso clearance. Use with Lympha Pants™, Lympha Jacket™, or ComfySleeve™ I-75 for torso treatment on the principles of manual lymph drainage.
- Bilateral or unilateral treatment.
- Patient lock – pressure and modes are set and locked, according to prescription.

Easy to use and fully adjustable to meet individual patient needs.

Lympha Press 201MAX™ is a home care system for treatment of lymphedema and venous insufficiency. It applies a gentle but effective sequential compression wave to maximally stimulate the lymphatic and venous systems as it moves fluids to healthy areas for uptake.

Lympha Press 201MAX™ has our short cycle time and up to 24 overlapping chambers in each compression garment. Three separate areas of compression can be set individually at the pump, to accommodate focal lesions, contractures, or scar tissue, or to decrease pressure proximally for a gradient effect.

FEATURES

- Quick cycle time (26 seconds inflate), recommended by physicians and therapists for more comfortable treatment in less time.
- Up to 24 fully overlapping chambers/garment.
- Three separate zones of pressure, calibrated “at the pump.”
- Bilateral or unilateral treatment.
- 60-minute timer and “hold” option.
- Digital display.



Lympha Press 201MAX™

MODEL	Lympha Press 201MAX™
CATALOG #	L1000063
CYCLE	Sequential
PRESSURE RANGE	20-80 mmHg
WEIGHT	5.3 kg / 11.7 lbs
SIZE	15x32x38.5 cm / 6x12.5x15.3 in
ELECTRICAL	115V / 60 Hz
ACCESSORIES	Hose Bundle L25S1000



GARMENT COMPATIBILITY

Lympha Press 201MAX™ is used with our 12 to 24 overlapping chamber appliances including leg and arm garments, Lympha Pants™, ComfySleeve™ I-75, and Lympha Jacket™.

Lympha Press 201MAX™ is HCPCS coded E0652.

PLEASE SEE PAGE 32 FOR INDICATIONS/CONTRAINDICATIONS.

Lympha Pants™



MODEL	CAT #	EXPANDERS	CAT #
Lympha Pants™ Bilateral	L4MP2123C	Expanders (PAIR) Lympha Pants™ Bilateral	L4Z5LP00
Lympha Pants™ Left (Unilateral Leg)	L4MPL123	Expanders (PAIR) Lympha Pants™ Left	L4Z5L003
Lympha Pants™ Right (Unilateral Leg)	L4MPRI123	Expanders (PAIR) Lympha Pants™ Right	L4Z5R003

24

24 CHAMBERS

LOWER BODY

BILATERAL TREATMENT

UNILATERAL TREATMENT

ONE SIZE

PLEASE SEE PAGE 32 FOR INDICATIONS/CONTRAINDICATIONS.

Complete lower body therapy with custom boot feature.

Designed on the principles of manual lymph drainage, Lympha Pants™ treat the lower body including one or both legs, as well as the entire trunk, abdomen, hips, and genital area. Lympha Pants™ contain 24 overlapping compression chambers for fluent, comfortable massage.

Lympha Pants™ accommodate wide variations in size. Our patented “custom boot” feature forms a boot to fit each patient’s leg length. This makes Lympha Pants™ ideal for use in clinics as well as at home.

Expanders are available to increase circumference. Lympha Pants™ have a zipper opening for catheter access.

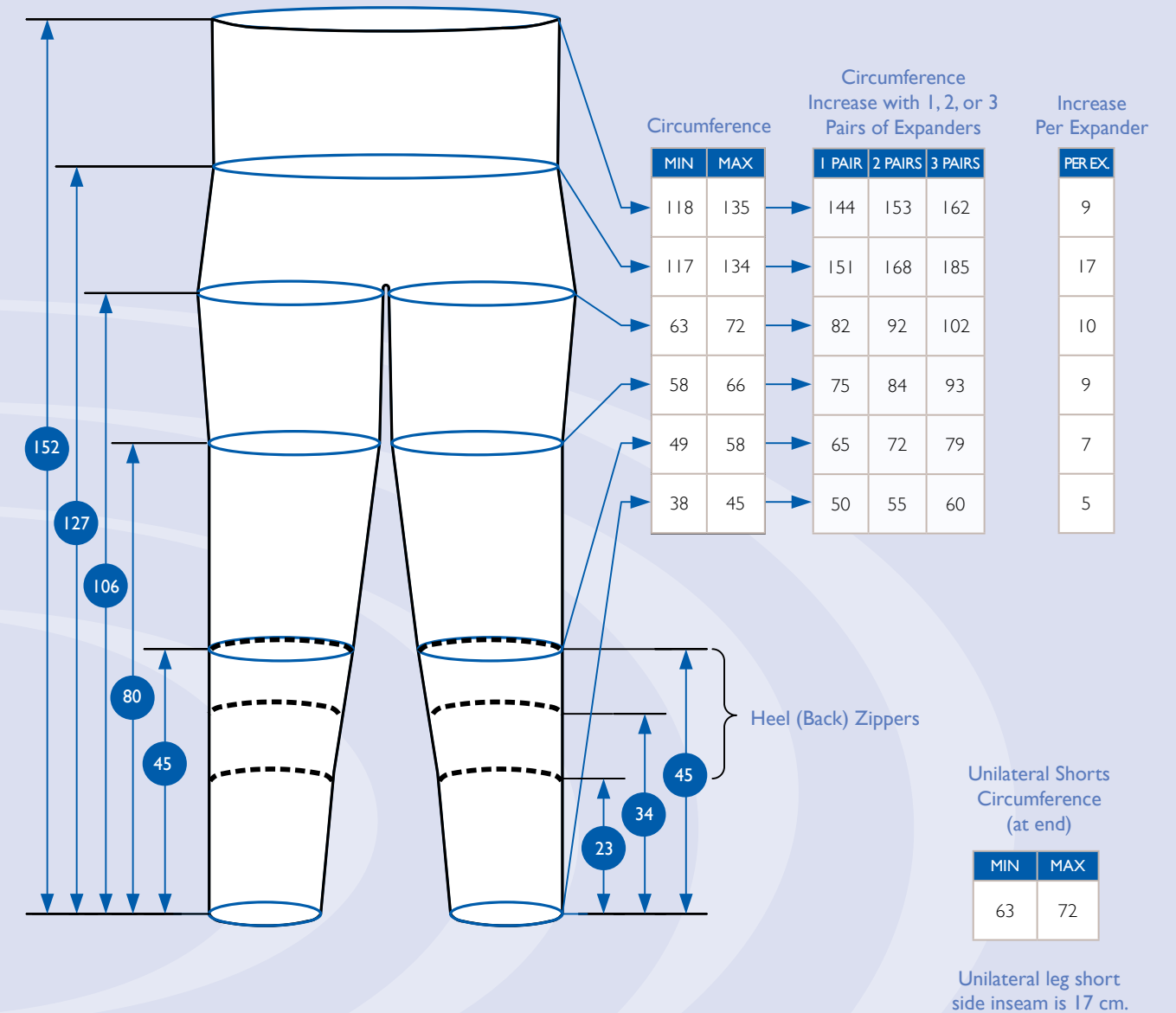
FEATURES

- 15-24 fully overlapping chambers.
- Treats the entire trunk, including both sides of the abdomen, hips, and the genital area.
- Treats one or both legs.
- Adjustable boot accommodates most leg lengths.
- Easy to use – like wearing a pair of pants!

PUMP COMPATIBILITY

- For use with Lympha Press Optimal® and Lympha Press 201Max™.

LYMPHA PANTS™ GARMENT DIMENSIONS



TECHNICAL NOTES

- Expanders are supplied in pairs. Specify pants type when ordering.
- Dimensional data in centimeters (cm).



LymphaPod®
Lympha Press Optimal®



LymphaPod®

MODEL	CATALOG NUMBER
LymphaPod® Left Hose Exit	L4MP800L
LymphaPod® Right Hose Exit	L4MP800R
LymphaPod® Left Expander	L4I580AL
LymphaPod® Right Expander	L4I580AR



PLEASE SEE PAGE 32 FOR INDICATIONS/CONTRAINDICATIONS.

Designed specifically for the larger patient.

Larger patients with lymphedema have special needs. Their lymphedema often appears on the upper thighs, hips, and abdomen – areas that cannot be treated with standard leg garments. Larger patients also often have limited mobility.

LymphaPod® is a home care system designed for larger patients. It treats the entire lower body, including legs, hips, and abdomen. It conforms to irregular limbs and shapes and is designed for ease of use by patients with limited mobility.

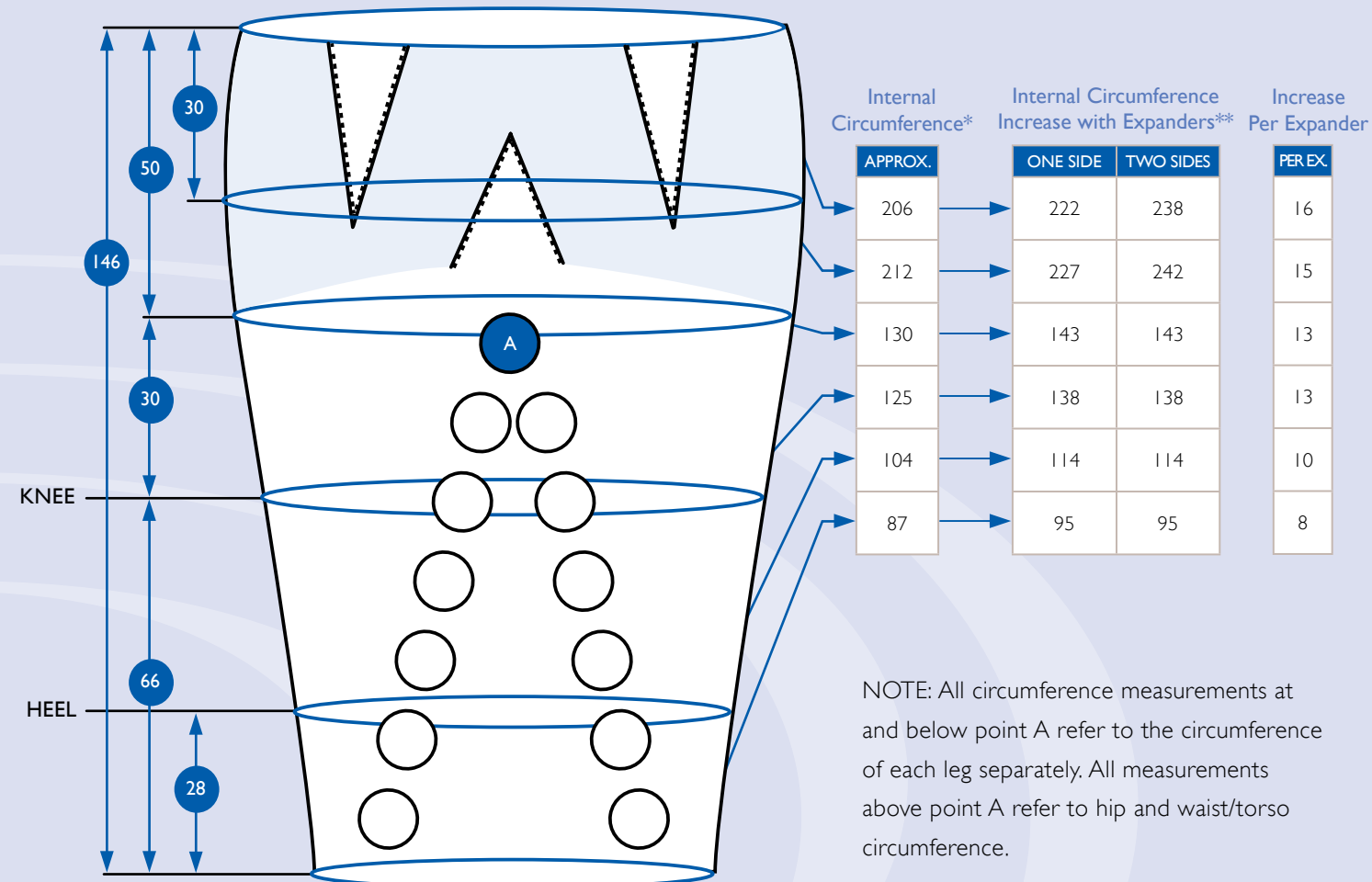
LymphaPod® is a one-size garment and is available with hose attachments to the right side or the left side for easy patient access. Please specify hose side when ordering.

FEATURES

- Treats the entire lower body including hips, abdomen, and buttocks.
- Special emphasis on the inner thigh to treat lobules.
- Designed for use by patients with limited mobility (some patients may need assistance).
- One size fits patients from 350 to 700+ lbs.
- 40 overlapping air chambers.

PUMP COMPATIBILITY

- LymphaPod® can be used only with Lympha Press Optimal® Optimized for LymphaPod® model LI0003C6P.



NOTE: All circumference measurements at and below point A refer to the circumference of each leg separately. All measurements above point A refer to hip and waist/torso circumference.

TECHNICAL NOTES

- LymphaPod® can be used only with Lympha Press Optimal® Optimized for LymphaPod®.
- LymphaPod® garments are available with hoses exiting from the right or left side of the garment.
- Dimensional data in centimeters (cm).
- Expanders are sold singly – specify LEFT or RIGHT.

*Location of patient landmarks will vary depending on height and leg length.

**Leg measurements for side with expander added.

ComfySleeve™ I-75

COMFYSLLEEVE™ I-75 GARMENT DIMENSIONS



Simplifying treatment for postmastectomy lymphedema.

ComfySleeve™ I-75 treats the entire arm, shoulder, and one side of the back, chest, and abdomen. Its sequential, compressive massage action activates the lymphatics to absorb fluids and proteins and coaxes fluids around blockages into healthy areas for uptake.

ComfySleeve™ I-75 provides gentle, targeted therapy to the axilla (armpit), to assist lymphatic drainage.



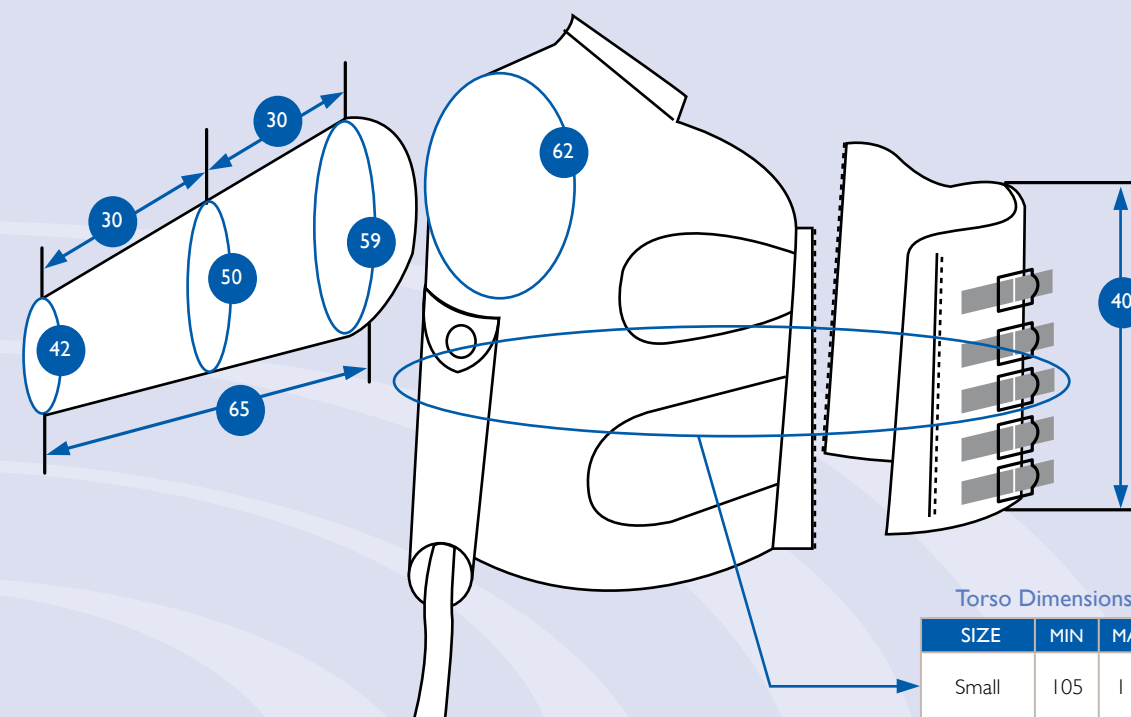
MODEL	CATALOG NUMBER
ComfySleeve™ I-75 Small	Left: L41LSI75L Right: L41LSI75R
ComfySleeve™ I-75 Medium	Left: L41LM175L Right: L41LM175R
ComfySleeve™ I-75 Large	Left: L41LL175L Right: L41LL175R

FEATURES

- Treats arm, chest, shoulder, back, and abdomen.
- Conforms to the patient's body shape, with targeted compression to the armpit area.
- Easy to put on and remove.
- Easy to clean for good hygiene.

PUMP COMPATIBILITY

- For use with Lympha Press Optimal® and Lympha Press 201Max™.



Torso Dimensions

SIZE	MIN	MAX
Small	105	115
Medium	110	125
Large	122	140

TECHNICAL NOTES

- Right- or left-sided torso garments are available. Size can be changed by switching fasteners.
- Dimensional data in centimeters (cm).



PLEASE SEE PAGE 32 FOR INDICATIONS/CONTRAINDICATIONS.

Lympha Jacket™



Lympha Jacket™

Treatment for both arms, together with bilateral shoulders, chest, back, and abdomen.

The Lympha Jacket™ treats both arms, together with the entire upper body (chest, shoulders, back, and abdomen) for complete therapy. Lympha Jacket™ treats both sides of the torso, on the principles of manual lymph drainage.

FEATURES

- Complete bilateral torso therapy.
- Treats both arms simultaneously.
- 18 to 24 overlapping chambers prevent reflux and promote directional flow to healthy lymphatics.
- Easy to put on and take off, just like a regular jacket.
- Easy to clean for good hygiene and skin care.

PUMP COMPATIBILITY

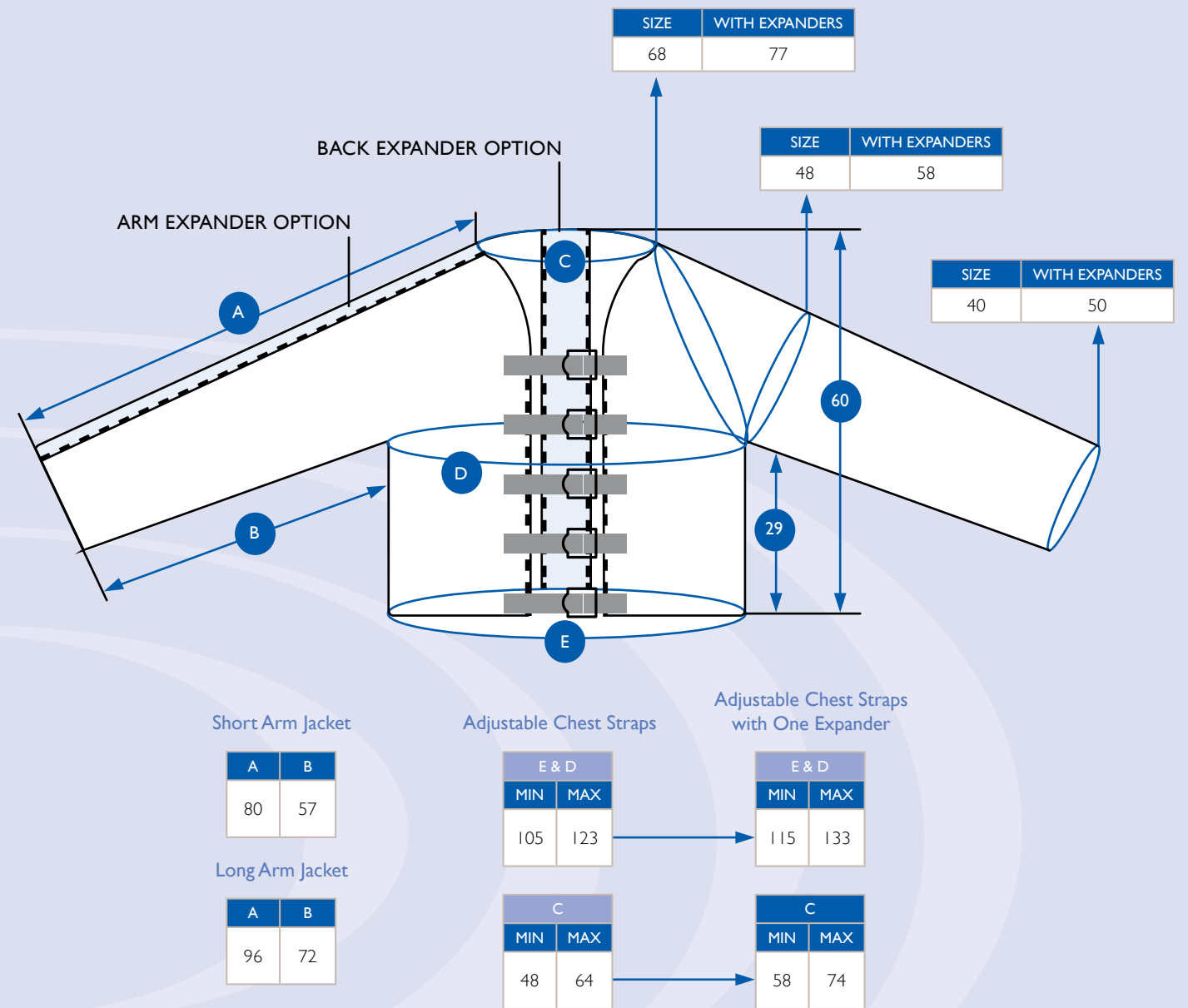
- For use with Lympha Press Optimal® and Lympha Press 201Max™.

MODEL SPECIFY LEFT, RIGHT, OR BILATERAL	CATALOG NUMBER
Short Arm Jacket	Bilateral: L4MJ6020 Back Expander: L4150542 Arm Expander: L4150822
Long Arm Jacket	Bilateral: L4MJ6030 Back Expander: L4150542 Arm Expander: L4150823



PLEASE SEE PAGE 32 FOR INDICATIONS/CONTRAINDICATIONS.

LYMPHA JACKET™ GARMENT DIMENSIONS



TECHNICAL NOTES

- Dimensional data in centimeters (cm).

Arm and Leg Garments

ARM ZIPPER SLEEVE DIMENSIONS

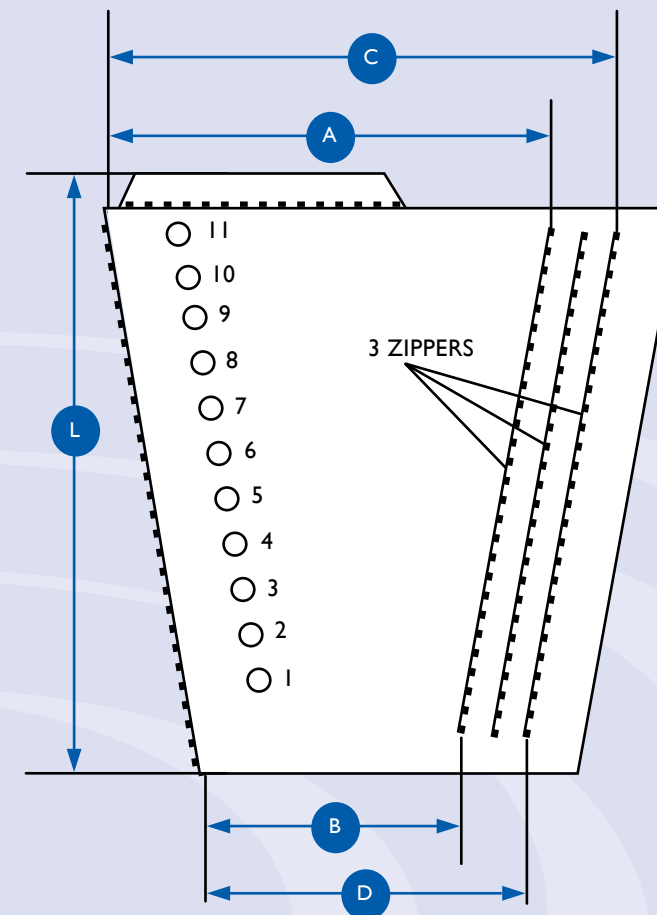


Zipper Sleeve

Our garment design is what makes Lympha Press® therapy so effective.

FEATURES

- 12 overlapping chambers – our patented system for smooth and effective therapy – without backflow or gaps.
- Wide selection of standard sizes.
- Hook-and-loop or easy zipper fasteners.



Accessories for Zipper Sleeve

Catalog #	Description	Size
L4150680	Expander	6.5
L4171R2L	Right Shoulder Attachment	L
L4171R2M	Right Shoulder Attachment	M
L4171R2S	Right Shoulder Attachment	S
L4171L2L	Left Shoulder Attachment	L
L4171L2M	Left Shoulder Attachment	M
L4171L2S	Left Shoulder Attachment	S

Match attachment to shoulder size in table below.



Zipper Sleeve

ZIPPER SLEEVE

For treatment of the arm and shoulder. Each garment has three zipper fasteners to adjust the fit as treatment progresses. Can be used with a shoulder attachment to treat the deltoid area.

SEE PAGE 21 FOR SIZE INFORMATION.



FL Sleeve™

FL SLEEVE

For treatment of the foot and leg. Hook-and-loop fasteners mold the sleeve to the leg shape for a perfect fit. Eleven sizes are available.

SEE PAGE 22 FOR SIZE INFORMATION.



ComfySleeve™

COMFYSLLEEVE™

For treatment of the foot and leg. These garments close with zippers, and are ideal for patients who need a garment that is easy to put on and remove.

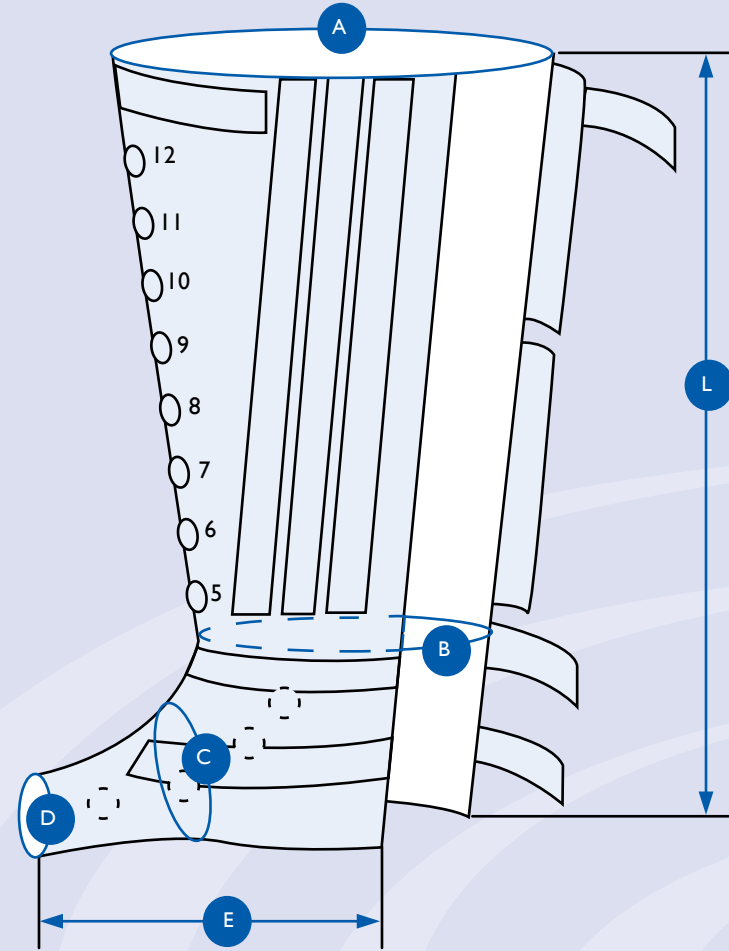
SEE PAGE 23 FOR SIZE INFORMATION.

Zipper Sleeve Dimensions

Catalog #	Sleeve #	A	C	B	D	L	# Cells	Shoulder Size
L41111A4	ZIP I-75L	44	55	26	35	75	10	L
L41111A5	ZIP I-75M	40	50	25	33	75	10	M
L41111A6	ZIP I-75S	35	45	24	32	75	10	S
L41111B4	ZIP I-80L	46	56	27	36	82	11	L
L41111B5	ZIP I-80M	41	52	25	33	82	11	M
L41111B6	ZIP I-80S	36	46	25	33	82	11	S

NOTE: All garment sizes are in centimeters (cm).

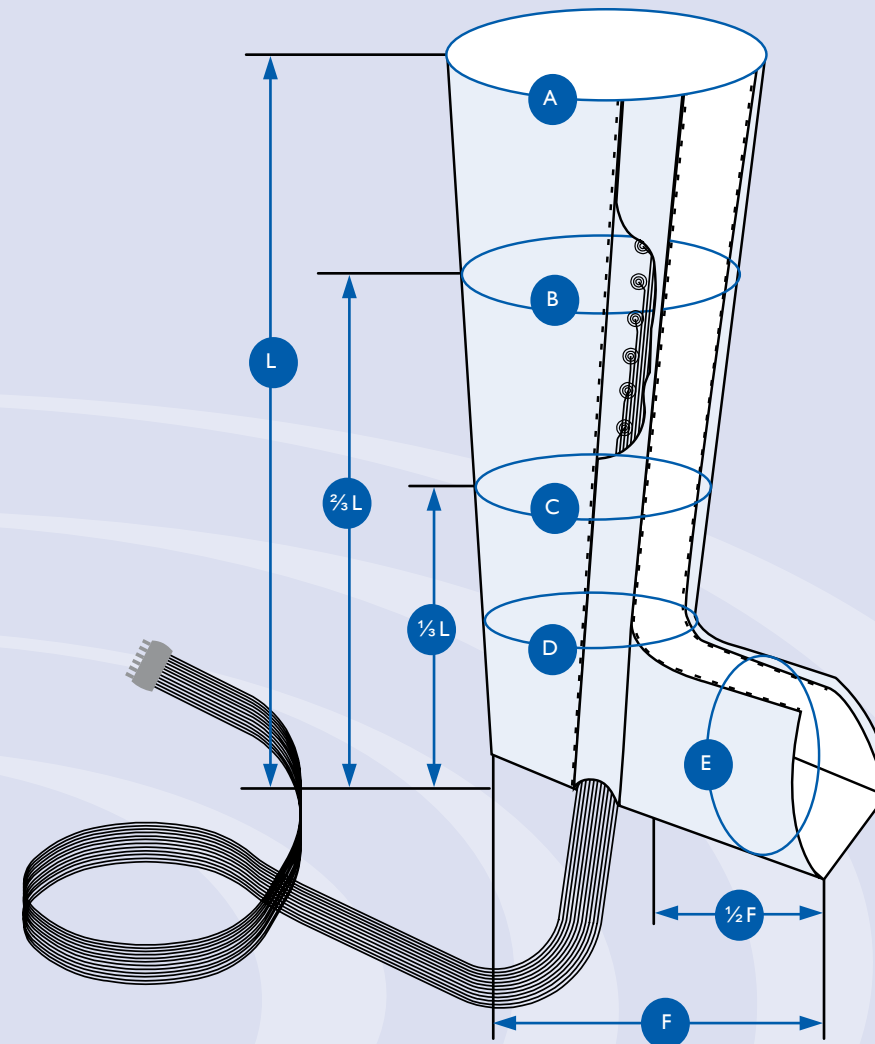
FL SLEEVE DIMENSIONS



Dimensions in cm.

Catalog #	Size	A min	A max	B min	B max	C min	C max	D	L	E	# of Cells	Boot # Cells
L4132050	FL 2-50	45	57	32	42	39	41	26	53	35	8	4
L4132075	FL 2-75	56	64	34	44				77		11	4
L4132085	FL 2-85	57	67	34	44				85		12	4
L4132090	FL 2-90	58	70	34	44				90		11	2
L4133065	FL 3-65	62	74	43	55	52	54	29	67	47	9	4
L4133080	FL 3-80	66	78	42	56				81		10	4
L4133085	FL 3-85	66	80	42	56				88		11	4
L4133095	FL 3-95	70	84	42	56				95		12	4
L4134070	FL 4-70	80	94	65	74	58	60	32	69	49	9	4
L4134075	FL 4-75	84	98	60	74				76		10	4
L4134080	FL 4-80	86	100	64	74				83		11	4
L4Z5A035	Expander for FL Sleeves											

COMFYSLEEVE™ DIMENSIONS



Dimensions in cm.

Catalog #	Size	A	B	C	D	E	F	L
L41L2285	Leg M	70	60	47	43	48	26	84
L41L2365	Leg L	81	73	60	56	54	37	65
L41L2375	Leg L+	85	76	61	56	54	37	75
L41L2385	Leg L++	90	80	64	56	54	37	85
L41L2475	Leg WL+	95	82	68	64	61	37	75

Dimensions with Expanders

Catalog #	Size	A	B	C	D	E
L415T087	CT	80	70	56	49	52
L415T078	BT	91	83	70	59	60
L415T087	CT	95	86	71	59	60
L415T097	DT	100	90	73	59	60
L415T087	CT	105	92	77	67	65

NOTE: All garment sizes are in centimeters (cm).

Phlebo Press DVT™

PHLEBO PRESS DVT™ GARMENT DIMENSIONS



Phlebo Press DVT™



Phlebo Press DVT™

DVT prevention for hospital and home use.

Phlebo Press DVT™ is a sequential compression system used for prevention of deep vein thrombosis in patients who are at risk. It works by applying external compression sequentially from foot to calf in a gentle pressure wave that mimics the action of natural walking and increases venous blood flow.

Phlebo Press DVT™ is used with single patient use garments with the option of foot-calf or calf-only compression. The garments have four chambers each, and are made of disposable, environmentally friendly materials.

FEATURES

- Applies sequential compression – mimics natural ambulation.
- Enhances venous blood flow.
- Four compression chambers.
- Audible and visual alarm.
- Soothing and pleasant massage action.
- Easy to operate.
- Economical single patient use garments.

MODEL	Phlebo Press DVT™ 601A
CATALOG NUMBER	L10000D2
CYCLE	Sequential – 4 chambers
CYCLE TIME	10 sec. (once per minute)
PRESSURE RANGE	50-60 mmHg
WEIGHT	2.3 kg / 5.1 lbs
SIZE	10x26x13 cm / 10x5x4 in
ELECTRICAL	115V/60 Hz

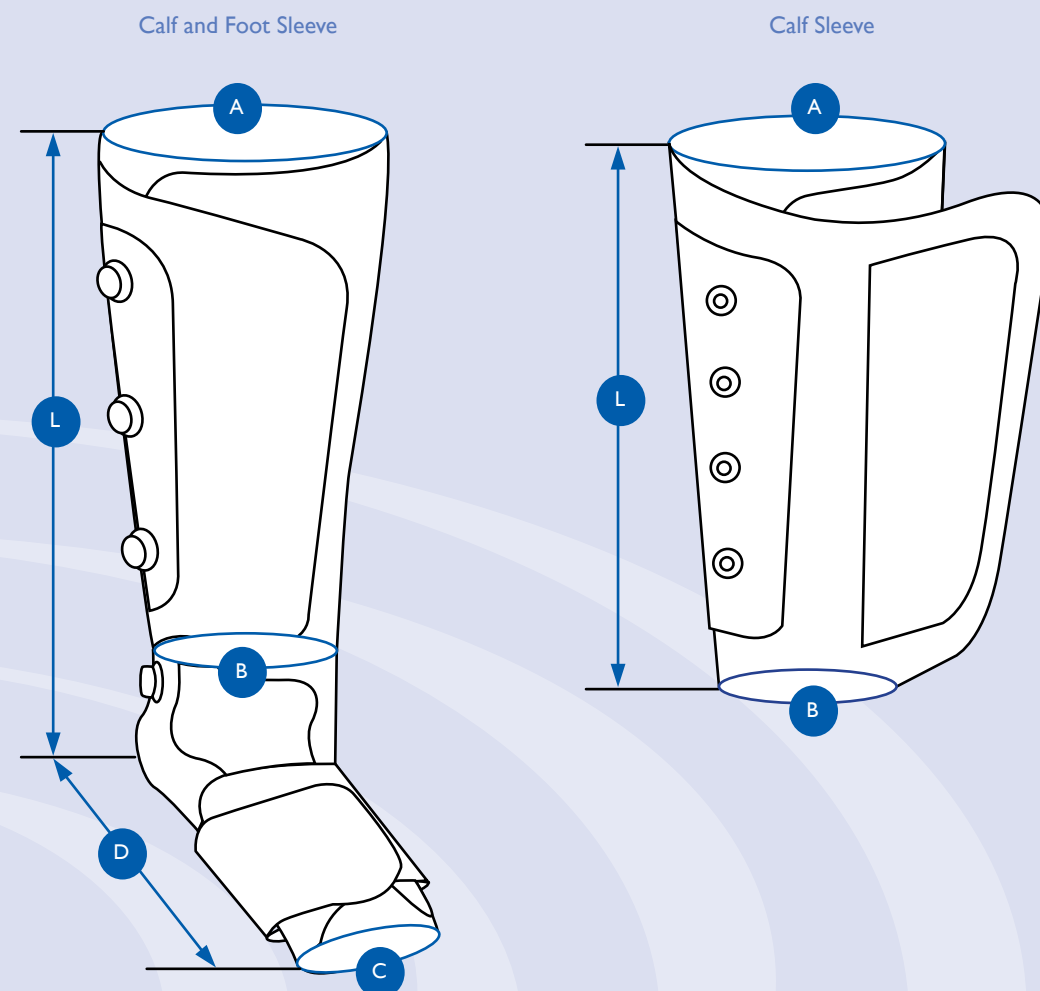
4

4 CELLS

ALARM

EASY TO USE

PLEASE SEE PAGE 32 FOR INDICATIONS/CONTRAINDICATIONS.



Sleeve Description Left/Right (Pair)	Catalog #	A min	A max	B min	B max	C min	C max	L	D
Calf-Foot S DISP	L4ZD0310	30	42	24	35	180	28	42	21
Calf-Foot M DISP	L4ZD0320	36	52	26	38	20	31	48.5	24
Calf-Foot L DISP	L4ZD0330	41	57	38	44	31	38	48.5	24
Calf M DISP	L4ZD0120	35	48	29	36	--	--	33	--
Calf L DISP	L4ZD0130	41	57	38	44	--	--	36	--

NOTE: All garment sizes are in centimeters (cm).

Follow these simple tips to ensure your garment has the best fit for the most effective results.

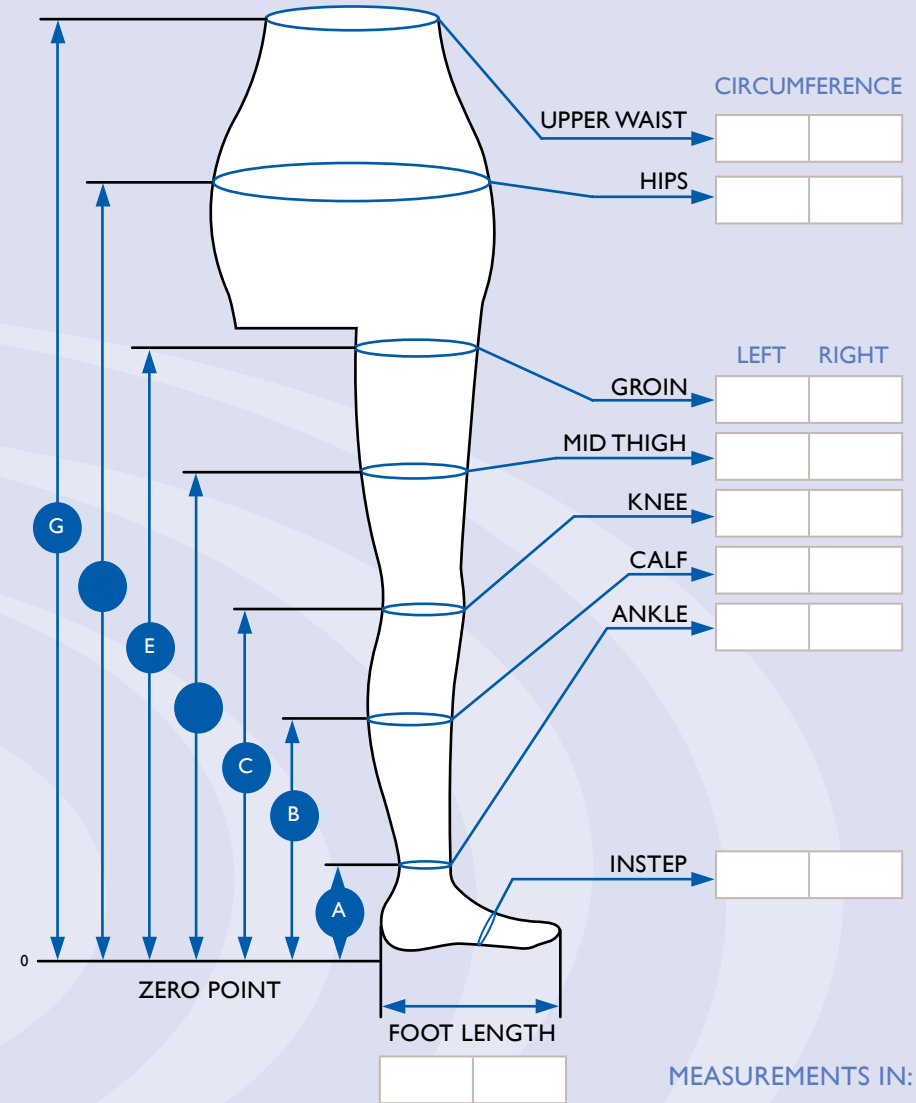


- ▶ Check the Garments Dimensions pages for technical notes unique to each garment type, such as sidedness, availability of expanders, etc.
- ▶ Measure the patient while the patient is in the treatment position.
- ▶ Obtain all the measurements requested on the Measuring Form. Indicate the position of any unusual protrusions, lobules or landmarks.
- ▶ The garments will shorten slightly in length as they inflate. To adjust for this, choose a slightly longer garment (up to 6 cm longer than the patient's length measurement).
- ▶ The garment should not fit tightly at any point. If the patient's circumference is near maximum at any point for that size, choose a wider garment or add an expander insert.

Date: _____ Patient Name: _____ Physician Name: _____

LENGTH		CIRCUMFERENCE	
G	<input type="text"/>	UPPER WAIST	<input type="text"/>
F	<input type="text"/>	HIPS	<input type="text"/>
LEFT RIGHT		LEFT RIGHT	
E	<input type="text"/>	GROIN	<input type="text"/>
D	<input type="text"/>	MID THIGH	<input type="text"/>
C	<input type="text"/>	KNEE	<input type="text"/>
B	<input type="text"/>	CALF	<input type="text"/>
A	<input type="text"/>	ANKLE	<input type="text"/>
* Length Measured from Zero Point		INSTEP	<input type="text"/>
		FOOT LENGTH	<input type="text"/>

MEASUREMENTS IN: CM INCHES



NOTES: _____

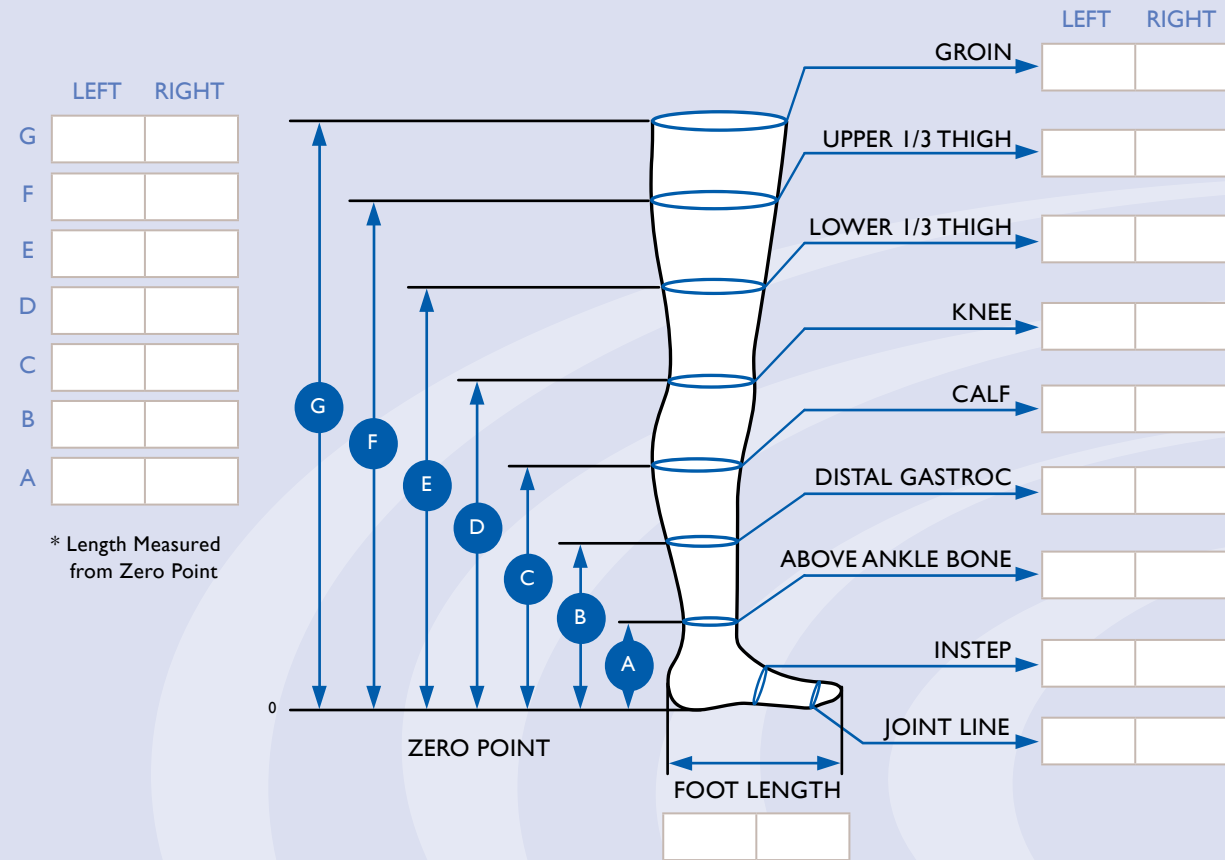
EMAIL: INFO@LYMPHA-PRESS.COM FAX: 732-792-9745

LEG SLEEVE MEASURING FORM

COMFYSLLEEVE™ I-75 AND LYMPHA JACKET™ MEASURING FORM

Date: _____ Patient Name: _____ Physician Name: _____

Date: _____ Patient Name: _____ Physician Name: _____

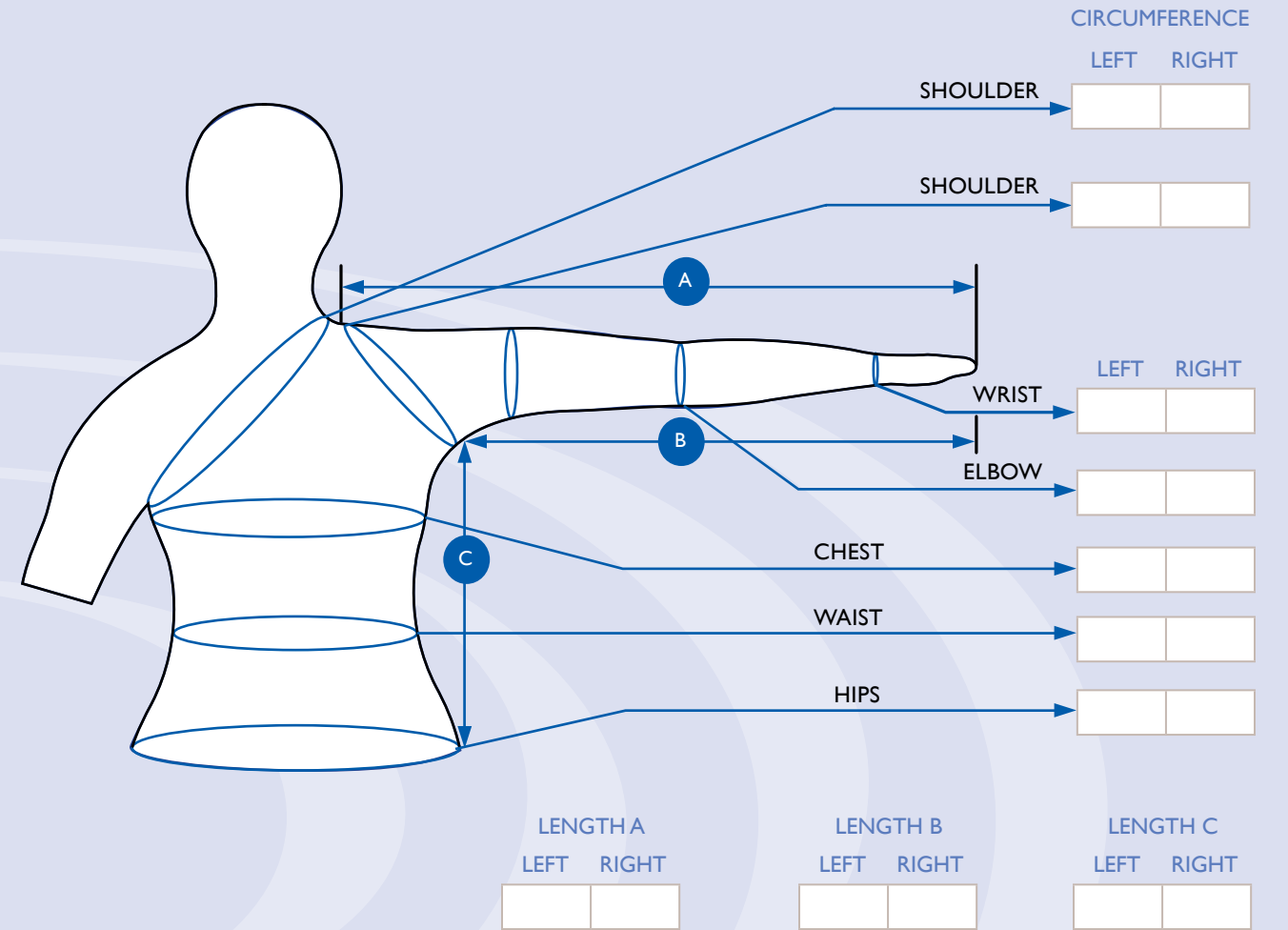


* Length Measured from Zero Point

MEASUREMENTS IN:

CM INCHES

NOTES: _____



MEASUREMENTS IN:

CM INCHES

NOTES: _____

Indications/Contraindications

LYMPHA PRESS OPTIMAL®, LYMPHA PRESS 201MAX™, AND ASSOCIATED COMPRESSION GARMENTS

Indications for Use:

Primary lymphedema, secondary lymphedema, venous insufficiency, venous stasis ulcers, dysfunction of the muscle pump.

Contraindications for Use:

Use of the Lympa Press Optimal® or Lympa Press 201Max™ is not recommended in the presence of one or more of the following conditions: known or suspected deep vein thrombosis or pulmonary embolism; during the inflammatory phlebitis process; acute infection of the affected limb; decompensated cardiac failure; severe arteriosclerosis or other ischemic vascular disease; any circumstance where increased venous and lymphatic return is undesirable. Due to movement of fluids in the body when using the device be careful with patients who have heart disease. Using high pressure is not recommended for patients with peripheral occlusion disease. The abdominal area should not be treated during pregnancy. If an abdominal garment (Lympa Pants™, Lympa Jacket II™, groin/abdomen garment or torso/abdomen garment) is to be used during pregnancy the air cells over the abdomen must be disconnected prior to use.

THE PETITE BASIC SYSTEM™ AND ASSOCIATED GARMENTS

Indications for Use:

The Petite Basic System™ is indicated for treatment of venous disorders and dysfunction of the "muscle pump," including venous stasis ulcers, treatment for varicose vein conditions, and treatment for discomfort from leg fatigue.

Contraindications for Use:

Severe arteriosclerosis or other ischemic vascular disease; unbalanced cardiac insufficiency; known or suspected deep vein thrombosis (DVT) or thrombophlebitis; gangrene; dermatitis; untreated or infected wounds; severe inflammation of the affected limb; recent skin grafts; extreme deformity of the limbs; in the presence of any pain or numbness.

PHLEBO PRESS DVT™ AND ASSOCIATED GARMENTS

Indications for Use:

Phlebo Press DVT™ is prescribed to help prevent deep vein thrombosis in patients who may be susceptible.

Contraindications for Use:

Known or suspected deep vein thrombosis, congestive heart failure, pulmonary edema, thrombophlebitis, severe arteriosclerosis, or active infections; in the presence of any pain or numbness; on extremities that are not sensitive to pain; vein ligation or other ischemic vascular diseases; when increased venous or lymphatic return is undesirable; extreme deformity of the limbs; gangrene; recent skin grafts; dermatitis.

Caution: Federal law (USA) restricts these devices to sale and use by, or on the order of, a physician.

Quick Reference Guide

PETITE BASIC SYSTEM™ PRODUCTS:

Petite Basic System™ Model 701A.....	L10000A6
Petite Basic System™ Hose Bundle.....	L25000A6
Petite Basic System™ Arm Sleeve.....	L41M1290
Petite Basic System™ Leg Sleeve 2-50 (S).....	L41M2250
Petite Basic System™ Leg Sleeve 2-75 (S+).....	L41M2275
Petite Basic System™ Leg Sleeve 2-85 (M).....	L41M2285
Petite Basic System™ Leg Sleeve 2-95 (M+).....	L41M2295
Petite Basic System™ Leg Sleeve 3-65 (L).....	L41M2365
Petite Basic System™ Leg Sleeve 3-75 (L+).....	L41M2375
Petite Basic System™ Leg Sleeve 3-85 (L++).....	L41M2385
Petite Basic System™ Leg Sleeve 4-75 (WL+).....	L41M2475
Petite Basic System™ Expander "A".....	L415A056
Petite Basic System™ Expander "C".....	L415A087
Petite Basic System™ Expander "BT".....	L415T078
Petite Basic System™ Expander "CT".....	L415T087
Petite Basic System™ Expander "DT".....	L415T097
Petite Basic System™ Expander "ET".....	L415T101

LYMPHA PRESS OPTIMAL® AND 201MAX™ PRODUCTS:

Lympa Press Optimal® Model 1201-AP.....	L10003C6
Lympa Press Optimal® Model 1201-AP-LPOD.....	L10003C6P
Lympa Press 201Max™.....	L1000063
Hose Bundle for Optimal® and 201Max™.....	L25S1000
Zipper Arm Sleeve 1-75 L.....	L41111A4
Zipper Arm Sleeve 1-75 M.....	L41111A5
Zipper Arm Sleeve 1-75 S.....	L41111A6
Zipper Arm Sleeve 1-80 L.....	L41111B4
Zipper Arm Sleeve 1-80 M.....	L41111B5
Zipper Arm Sleeve 1-80 S.....	L41111B6
Shoulder Attachment for Zipper Large Left.....	L4171L2L
Shoulder Attachment for Zipper Large Right.....	L4171R2L
Shoulder Attachment for Zipper Medium Left.....	L4171L2M
Shoulder Attachment for Zipper Medium Right.....	L4171R2M
Shoulder Attachment for Zipper Small Left.....	L4171L2S
Shoulder Attachment for Zipper Small Right.....	L4171R2S
Zipper Sleeve Expander.....	L4150680
FL Leg Sleeve 2-50.....	L4132050
FL Leg Sleeve 2-75.....	L4132075

Quick Reference Guide

LYMPHA PRESS OPTIMAL® AND 20IMAX™ PRODUCTS:

FL Leg Sleeve 2-85.....	L4I32085
FL Leg Sleeve 2-90.....	L4I32090
FL Leg Sleeve 3-65.....	L4I33065
FL Leg Sleeve 3-80.....	L4I33080
FL Leg Sleeve 3-85.....	L4I33085
FL Leg Sleeve 3-95.....	L4I33095
FL Leg Sleeve 4-70.....	L4I34070
FL Leg Sleeve 4-75.....	L4I34075
FL Leg Sleeve 4-80.....	L4I34080
FL Leg Sleeve Expander.....	L4Z5A035
ComfySleeve™ 2-85.....	L4I1L2285
ComfySleeve™ 3-65.....	L4I1L2365
ComfySleeve™ 3-75.....	L4I1L2375
ComfySleeve™ 3-85.....	L4I1L2385
ComfySleeve™ 4-75.....	L4I1L2475
ComfySleeve™ Expander “BT”.....	L4I5T078
ComfySleeve™ Expander “CT”.....	L4I5T087
ComfySleeve™ Expander “DT”.....	L4I5T097
Lympha Pants™ Bilateral.....	L4MP2I23C
Lympha Pants™ Left (Unilateral Leg).....	L4MPLI23
Lympha Pants™ Right (Unilateral Leg).....	L4MPRI23
Lympha Pants™ Bilateral Expanders (Pair).....	L4Z5LP00
Lympha Pants™ Left Expanders (Pair).....	L4Z5L003
Lympha Pants™ Right Expanders (Pair).....	L4Z5R003
LymphaPod® Left Hose Exit.....	L4MP800L
LymphaPod® Right Hose Exit.....	L4MP800R
LymphaPod® Expander Left.....	L4I580AL
LymphaPod® Expander Right.....	L4I580AR
ComfySleeve™ I-75 Large Left.....	L4ILLI75L
ComfySleeve™ I-75 Large Right.....	L4ILLI75R
ComfySleeve™ I-75 Medium Left.....	L4ILMI75L
ComfySleeve™ I-75 Medium Right.....	L4ILMI75R
ComfySleeve™ I-75 Small Left.....	L4ILSI75L
ComfySleeve™ I-75 Small Right.....	L4ILSI75R
Lympha Jacket™ Bilateral Long Arm.....	L4MJ6030
Lympha Jacket™ Bilateral Short Arm.....	L4MJ6020

Quick Reference Guide

Lympha Jacket™ Back Expander.....	L4I50542
Lympha Jacket™ Arm Expander Long.....	L4I50823
Lympha Jacket™ Arm Expander Short.....	L4I50822

PHLEBO PRESS DVT™ PRODUCTS:

Phlebo Press DVT™ Model 601A.....	L10000D2
Calf-Foot Sleeve L Single Pt Use (pair).....	L4ZD0330
Calf-Foot Sleeve M Single Pt Use (pair).....	L4ZD0320
Calf-Foot Sleeve S Single Pt Use (pair).....	L4ZD0310
Calf Sleeve M Single Pt Use (pair).....	L4ZD0120
Calf Sleeve L Single Pt Use (pair).....	L4ZD0130

Lympha Press® systems are manufactured by Mego Afek Ac, Ltd.
LP-00067-A

